

Flow cell for the connection to tubes with needle valve and flow measurement

QV-flow PMMA Oxytrace

Flow cell made of acrylic glass for one oxygen sensor Oxytrace SC including mounting angle made of stainless steel.

With needle valve and flow measurement.

Technical data:

Flow cell made of acrylic glass on mounting angle made of stainless steel.

Sample inlet: Swagelok connection for tube ¼"

Sample outlet: tube Ø 6 mm
Pressure-free outlet necessary (atmospheric drain), use a funnel

Sample flow: 6 to 14 l/h
Sample flow measuring range: 0 to 25 l/h

Sample pressure: 0.2 to 3 bar

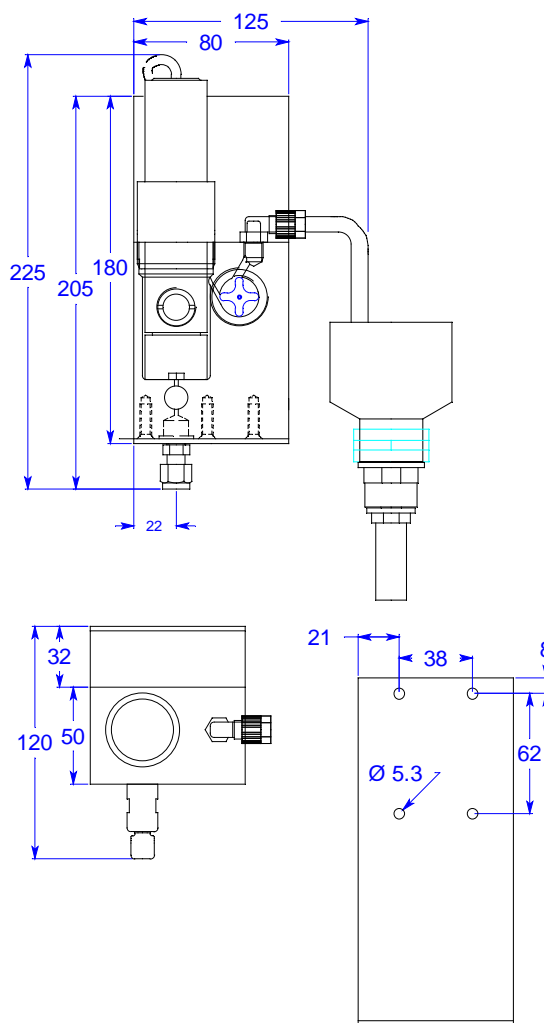
Sample temperature: 10 to 45 °C

Suspended solids: less than 10 ppm

No oil and no grease

Size:
Wide mounting angle: 80 mm
Wide incl. tube: roughly 125 mm
Front-to-back: 120 mm
Height incl. Swagelok: roughly 205 mm
Height incl. Swagelok + sensor: roughly 225 mm

Mounting: screws M5



Drawing with sensor and funnel (both not included in delivery!)

Delivery includes:

Flow cell QV-flow PMMA Oxytrace with bushing for sensor on mounting angle.
Process connection: Swagelok connection for ¼" tube, flexible tube Ø 6 mm

Order scheme	QV-flow PMMA Oxytrace	A-83.421.10	
Flow measurement	flow sensor with 1 m cable		1
	flow sensor with 5 m cable		5
	flow sensor with 15 m cable		7